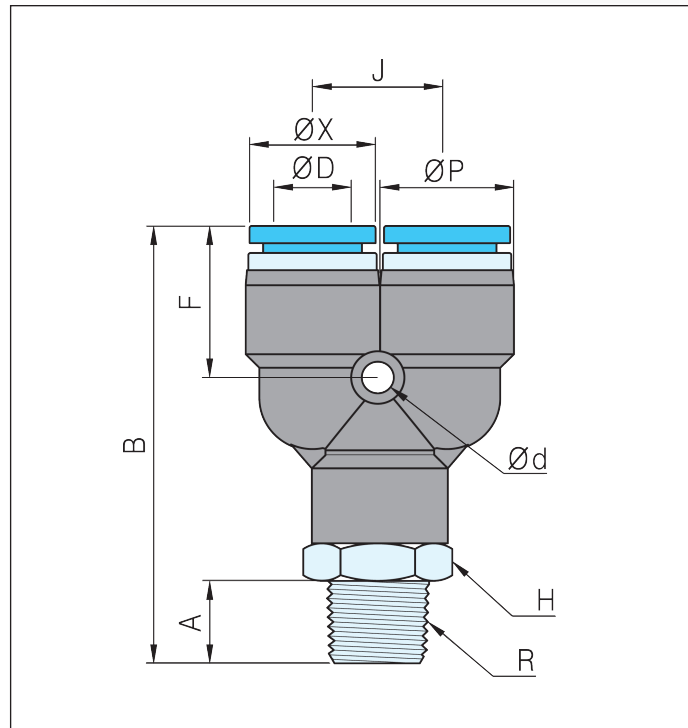


# PWT series

## Y型螺纹三通



型号	ØD	R (Thread)	ØP	A	B	Ød	F	J	H	ØX	Q'TY/BOX
PWT04M5	4	M5	11.1	3.5	40	3.2	14	11	10	10	100
PWT0401		Rc1/8	11.1	7	42	3.2	14	11	10	10	100
PWT0402		Rc1/4	11.1	9	45	3.2	14	11	14	10	50
PWT06M5	6	M5	13.2	4.5	41	3.2	15	13	12	12	50
PWT0601		Rc1/8	13.2	7	44	3.2	15	13	12	12	50
PWT0602		Rc1/4	13.2	9	46	3.2	15	13	14	12	50
PWT0603		Rc3/8	13.2	9	48	3.2	15	13	17	12	50
PWT0604		Rc1/2	13.2	12	50	3.2	15	13	21	12	50
PWT0801	8	Rc1/8	14.8	7	46.5	3.2	18		14	14	50
PWT0802		Rc1/4	14.8	9	48.5	3.2	18	15	14	14	50
PWT0803		Rc3/8	14.8	10	50.3	3.2	18	15	17	14	50
PWT0804		Rc1/2	14.8	12	53	3.2	18	15	21	14	25
PWT1001	10	Rc1/8	18.8	7	55.5	4.2	21	19	17	17	25
PWT1002		Rc1/4	18.8	8.8	58	4.2	21	19	17	17	25
PWT1003		Rc3/8	18.8	10	58.5	4.2	21	19	17	17	25
PWT1004		Rc1/2	18.8	12	62.2	4.2	21	19	21	17	25
PWT1202	12	Rc1/4	21.2	9	61.1	4.2	22	21	21	20	20
PWT1203		Rc3/8	21.2	10	62.3	4.2	22	21	21	20	20
PWT1204		Rc1/2	21.2	10	62.5	4.2	22	21	21	20	20