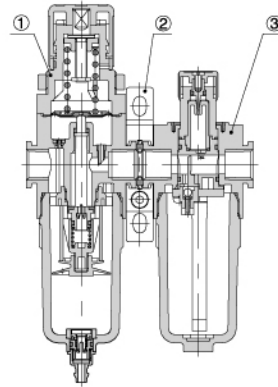


GFC series

空气过滤器组合 (两联件)
F.R.L Combination

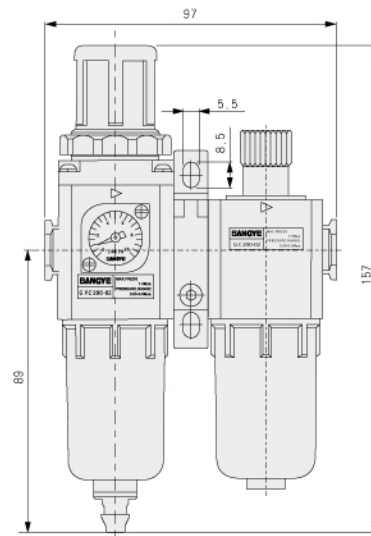
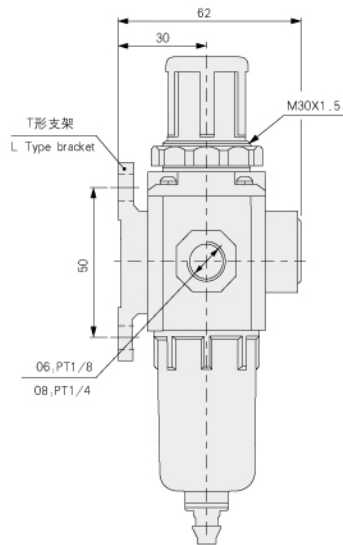
内部结构及主要零件材质/Inner structure and material list for main parts

序号/No	名称/Name
①	G系列调压过滤器/G series filter-regulator
②	连接支架/Bracket
③	G系列给油器/G series lubricator



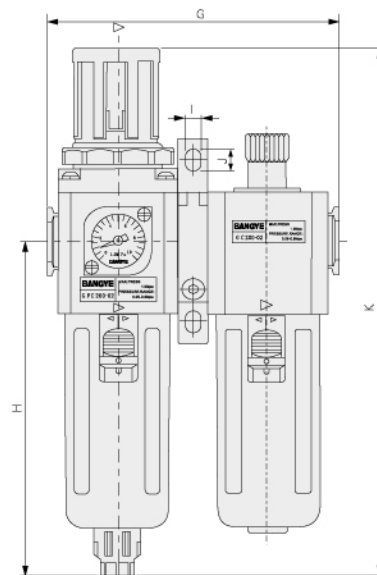
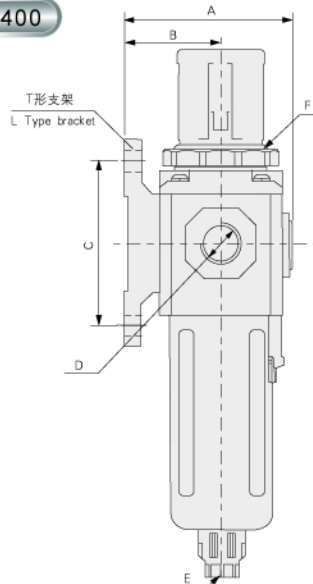
外部尺寸/Overall dimension

GFC200



GFC300

GFC400



型号/符号 (Model/Code)	A	B	C	D	E	F	G	H	I	J	K
GFC300-08	72	41.5	70	PT1/4	G1/8	M40X1.5	124	143	6.5	9	225.5
GFC300-10	72	41.5	70	PT3/8	G1/8	M40X1.5	124	143	6.5	9	225.5
GFC300-15	72	41.5	70	PT1/2	G1/8	M40X1.5	124	143	6.5	9	225.5
GFC400-10	89	50	80	PT3/8	G1/4	M55X2.0	164	165.5	8.6	12	269.5
GFC400-15	89	50	80	PT1/2	G1/4	M55X2.0	164	165.5	8.6	12	269.5