



- ▷ 节省安装空间;
- ▷ 滤芯更换简单;
- ▷ 螺母直接接触排管, 安装方便;
- ▷ 可直接连接真空发生器。

订购码/Ordering NO.



① 连接口径/Connection Diameter

| | |
|----|--------|
| 18 | PF 1/8 |
| 14 | PF 1/4 |
| 38 | PF 3/8 |
| 12 | PF 1/2 |
| 34 | PF 3/4 |

② 固定架/Bracket

| | |
|-----|--------|
| 无记号 | 无 |
| B | 带固定架) |

- 注) 固定架型号
- 18, 14, 38 (VLF-B)
 - 12, 34 (VDF-B)

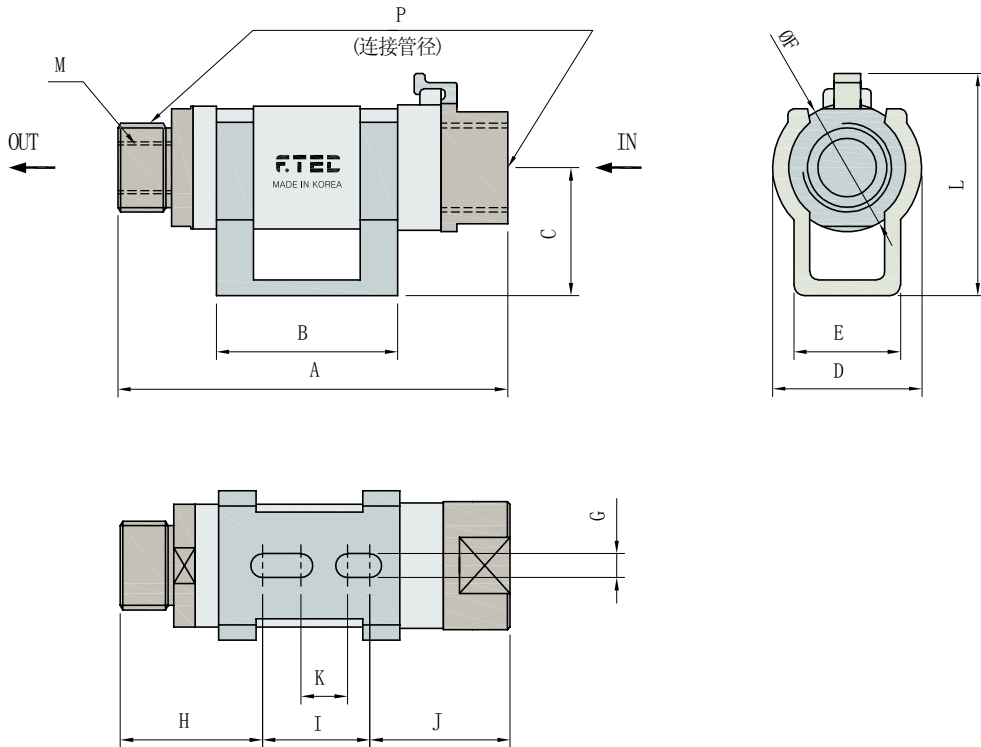
规格/Specification

| 型号 | VDF 18 | VDF 14 | VDF 38 | VDF 12 | VDF 34 |
|------------------|--------------|--------|--------|--------|--------|
| 供气类别 | Clean Air | | | | |
| 连接管直径 | PF 1/8 | PF 1/4 | PF 3/8 | PF 1/2 | PF 3/4 |
| 使用压力 | -0.1 ~ 0 MPa | | | | |
| 流量 (正压) (L/min) | 50 | 120 | 300 | 450 | 680 |
| 流量 (真空压) (L/min) | 10 | 30 | 80 | 120 | 200 |
| 环境及工作温度 | 0 ~ 60 °C | | | | |
| 过滤精度 | 5 um | | | | |

※ 请定期更换滤芯。

VDF Series 外形尺寸/Dimensions

VDF 18, VDF 14, VDF 38, VDF 12, VDF 34



(mm)

| MODEL | A | B | C | D | E | F | G | H | I | J | K | L | M | P |
|--------|------|----|----|----|----|----|-----|------|------|------|------|------|--------|--------|
| VDF 18 | 64.5 | 34 | 24 | 28 | 20 | 24 | 4.5 | 22.7 | 20 | 21.8 | 8.7 | 41.7 | - | PF 1/8 |
| VDF 14 | 66.5 | 34 | 24 | 28 | 20 | 24 | 4.5 | 24.7 | 20 | 21.8 | 8.7 | 41.7 | - | PF 1/4 |
| VDF 38 | 73 | 34 | 24 | 28 | 20 | 24 | 4.5 | 26.7 | 20 | 26.3 | 8.7 | 41.7 | PF 1/8 | PF 3/8 |
| VDF 12 | 91 | 41 | 30 | 40 | 28 | 34 | 5.5 | 25.9 | 25.5 | 24.1 | 11.5 | 52.4 | PF 1/4 | PF 1/2 |
| VDF 34 | 93 | 41 | 30 | 40 | 28 | 34 | 5.5 | 25.9 | 25.5 | 26.1 | 11.5 | 52.4 | PF 3/8 | PF 3/4 |